

HIL

HIGH INSTRUCTIONS LEARNING

HIL is used successfully by operating in aeronautical and automotive field quoted SPA.

TRAINING STAFF WITH VIRTUAL REALITY

HIL IS THE SOFTWARE FOR THE TRAINING AND UPDATING OF TECHNICAL STAFF THROUGH THE USE OF VIRTUAL REALITY AND INTERACTIVE VIDEOS



VIRTUAL REALITY AND INTERACTIVE VIDEOS

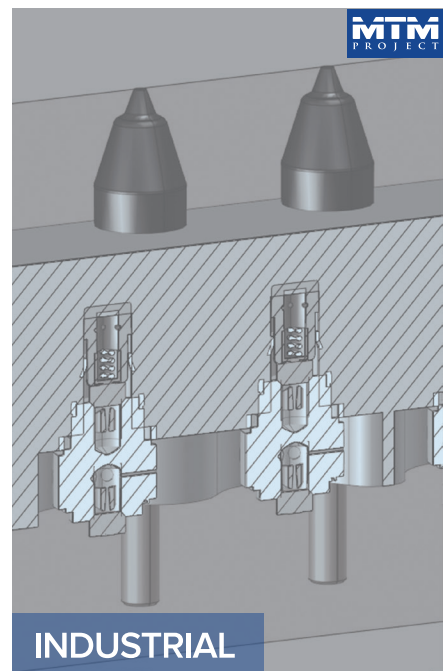
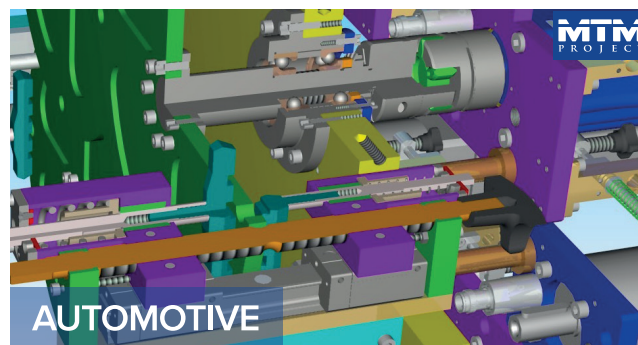
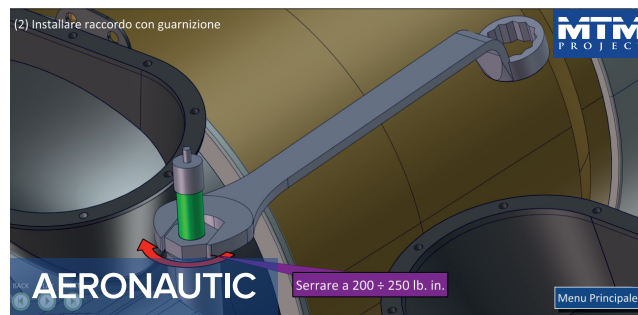


DOCUMENT MANAGEMENT



MULTIPROFILE AND MULTIUSER

EXAMPLE OF VIRTUAL TRAINING:



AVAILABLE FOR:



WEB



DESKTOP



MOBILE



ON CLOUD

EXAMPLES OF HIL APPLICATIONS IN THE AUTOMOTIVE FIELD

ADVANTAGES



Set to zero learning times and costs

Allows the multilevel training for the operators



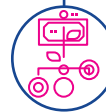
Autotraining and E-learning

Allows the "know how" sharing and preservation in the organisation



Instant technological transfer to the operators

Improves staff organisation



EXAMPLE OF VIRTUAL TRAINING ON THE AUTOMOTIVE FIELD:

